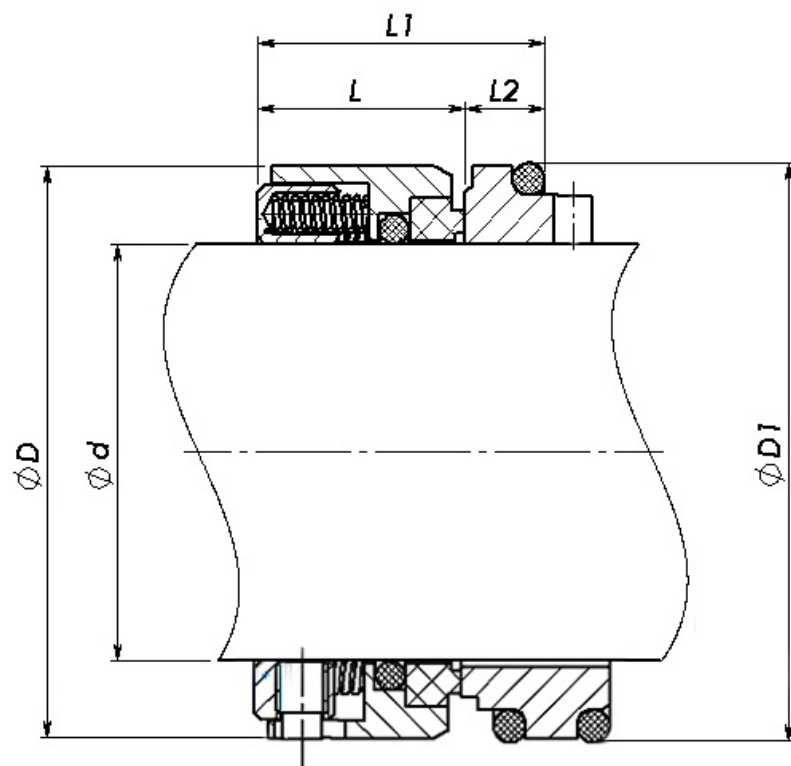


D6K

единично/single

механично/mechanical

уплътнение/seal



ЗАБЕЛЕЖКИ / NOTES:

- Допустими монтажни отклонения на размера L – до +/- 0,5мм.
- Permissible installing deviations of dimension L – up to +/- 0,5mm.

ОСНОВНИ РАЗМЕРИ BASIC DIMENSIONS (mm)

d	D	D1	L	L1	L2
10	21	18.1	15	20.5	5.5
11	21	20.6	18	23.5	5.5
12	22	20.6	18	23.5	5.5
14	24	23.1	22	28	6
16	26	26.9	23	30	7
18	29	30.9	24	32	8
19	30	30.9	25	33	8
20	30	30.9	25	33	8
22	34	35.4	25	33	8
24	35	35.4	27	35	8
25	37	38.2	27	35.5	8.5
28	42	43.3	29	38	9
29	42	43.3	29	38	9
30	45	43.3	29	38	9
32	45	43.3	29	38	9
33	48	53.5	33	44.5	11.5
35	50	53.5	35	46.5	11.5
38	54	60.5	35	46.5	11.5
40	56	60.5	35	46.5	11.5
42	59	60.5	35	46.5	11.5
43	60	60.5	35	46.5	11.5
44	60	65.5	37	48.5	11.5
45	64	65.5	37	48.5	11.5
48	67	65.5	37	48.5	11.5
50	69	72.5	39	50.5	11.5
55	74	72.5	39	50.5	11.5
60	80	79.3	40	51.5	11.5
65	87	84.5	41	52.5	11.5
70	92	89.5	41	52.5	11.5
75	97	94.5	44	55.5	11.5
80	102	99.5	48	59.5	11.5
85	110	105.5	48	61.5	13.5
90	117	111.5	48	61.5	13.5
95	122	116.5	53	66.5	13.5
100	127	119.5	56	69.5	13.5
110	143	132.2	64	81.5	17.5
120	155	142.2	80	97.5	17.5
130	166	153.2	80	97.5	17.5

ОСНОВНИ РАЗМЕРИ BASIC DIMENSIONS (mm) (DIN 24960)

d	D	D1	L	L1	L2
10	21	21	15	22	7
12	22	23	18	25	7
14	24	25	22	29	7
16	26	27	23	30	7
18	29	33	24	34	10
20	30	35	25	35	10
22	34	37	25	35	10
24	35	39	27	37	10
25	37	40	27	37	10
28	42	43	29	39	10
30	45	45	29	39	10
32	45	48	29	39	10
33	48	48	33	43	10
35	50	50	35	45	10
38	54	56	35	48	13
40	56	58	35	48	13
43	60	61	35	48	13
45	64	63	37	50	13
48	67	66	37	50	13
50	69	70	39	53	14
53	74	73	39	53	14
55	74	75	39	53	14
58	80	78	40	54	14
60	80	80	40	54	14
63	87	83	41	55	14
65	87	85	41	55	14
68	92	90	41	57	16
70	92	92	41	57	16
75	97	97	44	60	16
80	102	105	48	66	18
85	110	110	48	66	18
90	117	115	48	66	18
95	122	120	53	71	18
100	127	125	56	74	18